

Mi-T-M[®] CORPORATION

8650 Enterprise Drive, Peosta IA 52068

563-556-7484 / Fax 563-556-1235

PARTS LIST FOR ***JCW-2003-0MHB/0MVB***

ENGINE OIL GRADE:

HONDA:

SAE 10W/30

VANGUARD:

Above 40°F=SAE30

Below 40°F=SAE10W-30

ENGINE OIL CAPACITY:

HONDA:

20 oz.

VANGUARD:

24 oz.

PUMP OIL GRADE:

Mi-T-M #AW-4085-0016

PUMP OIL CAPACITY:

14 oz.

PRESSURE NOZZLE:

4.0

This Parts Listing has been compiled for your benefit. You can be assured your Mi-T-M pressure washer was constructed and designed with quality and performance in mind using over 25 years experience in the pressure washer business. Each component has been rigorously tested to insure the highest level of acceptance.

The contents of this Parts Listing are based on the latest product information available at the time of publication. Mi-T-M reserves the right to make changes in price, color, materials, equipment, specifications or models at any time without notice.

WARNING

THIS IS A PROFESSIONAL HIGH PRESSURE, PRESSURE WASHER. CAUTION SHOULD BE OBSERVED WHEN USING OR REPAIRING THIS UNIT! READ AND FOLLOW THE SAFETY WARNINGS LISTED BELOW BEFORE ATTEMPTING ANY REPAIRS ON THIS PRESSURE WASHER!

SAFETY WARNINGS

1. NEVER alter or modify the equipment. Be sure any accessory items and system components being used will withstand the pressure developed. Use only genuine Mi-T-M parts for repair of your pressure washer. Failure to do so can cause hazardous operating conditions and will VOID warranty.
2. NEVER make adjustments on machinery while the unit is connected to the engine without first removing the ignition cables from the spark plugs. Turning over the machinery by hand during adjustment or cleaning might start the engine and machinery with it, causing serious injury to the operator.
3. Know how to stop and bleed pressures quickly. Be thoroughly familiar with controls.
4. Before servicing the unit, turn unit off, relieve the water pressure and allow the unit to cool down. Do not make repairs while the unit is running. Service in a clean, dry, flat area. Block the wheels to prevent the unit from moving. Be especially careful to properly dispose of any flammable materials.
5. After testing the machine, DO NOT leave the pressurized unit unattended. Shut off the unit and release trapped pressure before leaving.

Table of Contents

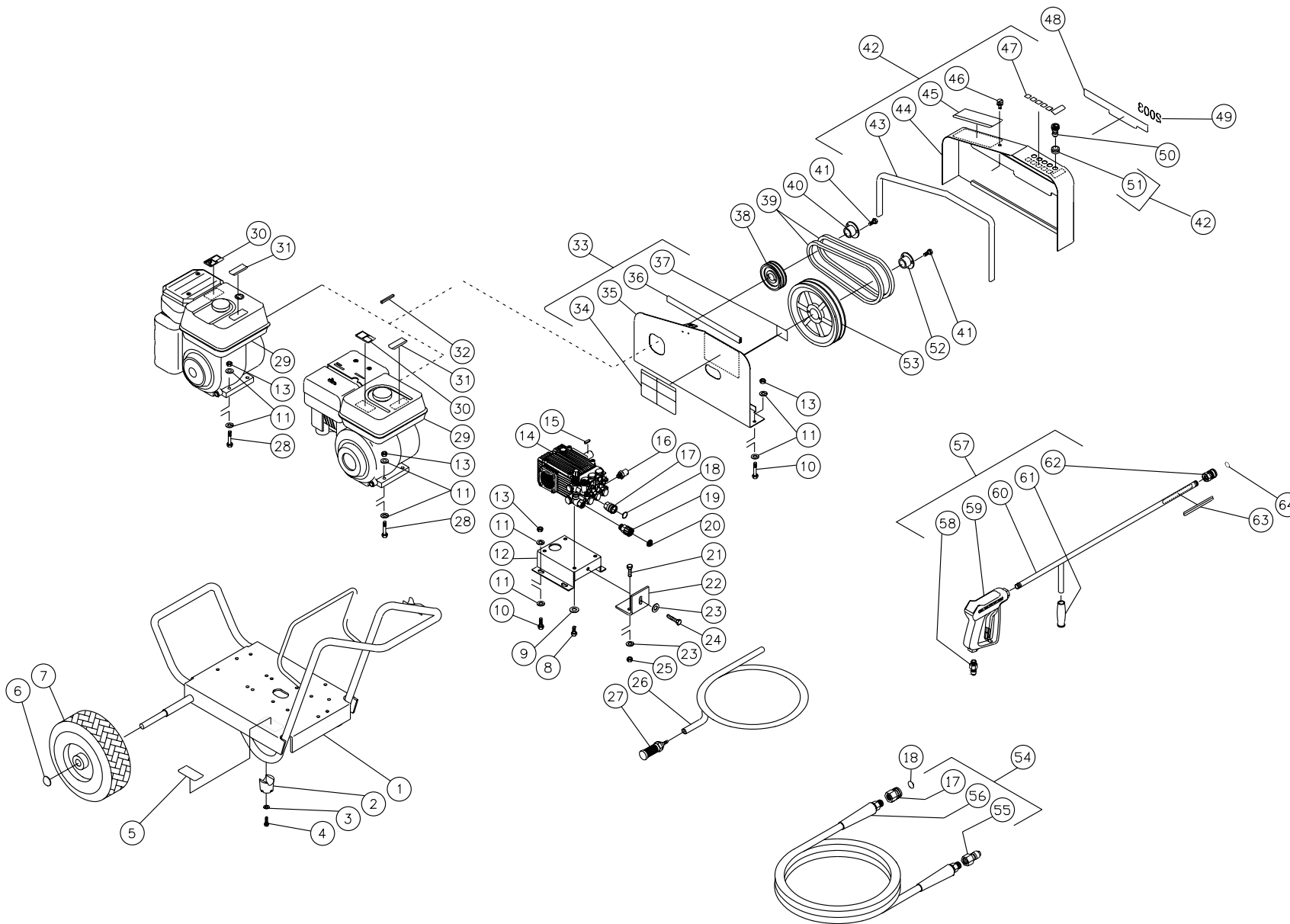
SPECIFICATIONS	3
FRAME ASSEMBLY	4
PUMP ASSEMBLY (3-0170)	6
GUN ASSEMBLY (16-0001)	8
NOTES	10

SPECIFICATIONS

JCW-2003-0MHB/0MVB

MODEL NUMBER	JCW-2003-0MHB	JCW-2003-0MVB
Operating Pressure (PSI/Bar):	2000/138	
High Pressure Nozzle:	4.0	
Water Volume (GPM/lpm):	2.8/10.6	
Engine:	Honda	B & S Vanguard
Horsepower	5.5	6.0
Engine Type	4 Stroke, Overhead Valve, Single Cylinder	
Oil Type	SAE 10W 30	Above 40 F=SAE30/Below 40 F=SAE 10W 30
Oil Capacity (oz./liters)	20/6	24/7
Low Oil Protection	Oil Alert	Oil Guard
Fuel Type	Unleaded Gasoline 86 Octane Minimum	
Fuel Capacity (gallon/ liters)	.95/3.6	1.05/3.99
Starting	Recoil	
Maximum No Load RPM	3600 (+/- 100) RPM	
Pump:	Belt Driven, Oil Bath, Triplex Piston	
Oil Type	Mi-T-M Pump Oil #AW-4085-0016	
Oil Capacity (oz./liters)	14/41	
Plungers	Ceramic	
Manifold	Forged Brass	
Valves	Stainless Steel	
Unloader	Adjustable	
Heat Dump Valve	Relieves heated water during unloader bypass stage	
Detergent Injector	Adjustable low pressure down stream from pump	
Unit Net Weight (Lbs/kg)	115/52	115/52
Unit Shipping Weight (Lbs/kg)	157/71	157/71
Unit Net Dimension (In/cm)	38L x 21W x 20.5H/93L x 53W x 52H	
Unit Shipping Dimension (In/cm)	39.5L x 25.5W x 32.5H/100L x 65W x 83H	

FRAME ASSEMBLY

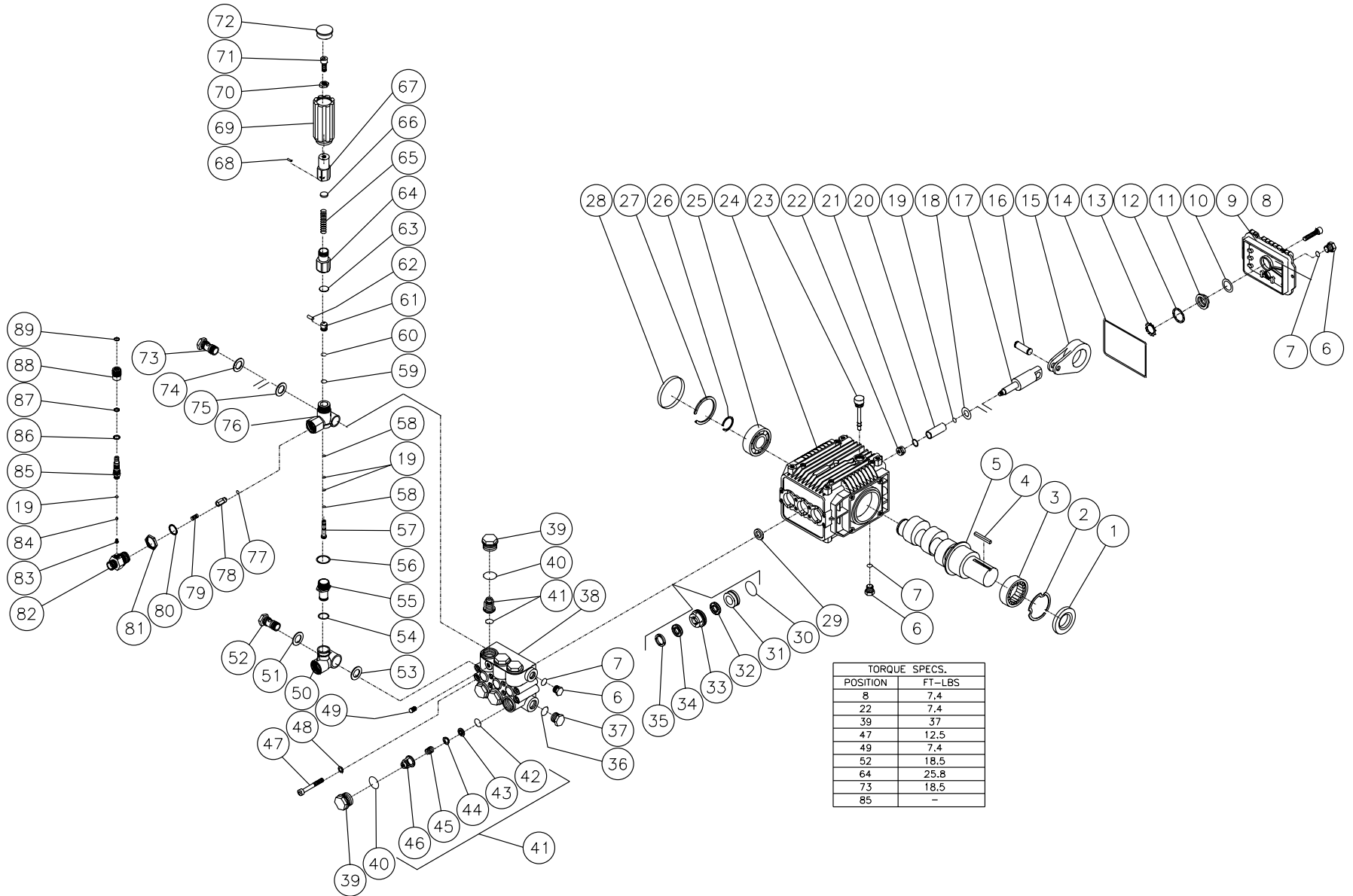


JCW-2003-0MHBV-082401-DLG

FRAME ASSEMBLY

REF #	DESCRIPTION	PART #	QTY	REF #	DESCRIPTION	PART #	QTY	REF #	DESCRIPTION	PART #	QTY
1	Frame Assembly	5-0132A01	1	25	Locknut	30-0159	2	47	Decal- Die Cut Nozzles	34-0500	1
2	Isolator	14-0066	2	26	Detergent Hose *(Four Feet Required)	15-0021	1	48	Decal- Beltguard	34-0777	1
3	Washer	28-0021	2	27	Detergent Strainer	19-0050	1	49	Decal- White Die Cut 2000 PSI	34-0551	1
4	Screw	27-3096	2	28	Bolt	27-0070	4	50	Spray Nozzle- 0004	18-0028	1
5	Decal- Data Plate	N/A	1	29	Engine- Honda 5.5 HP	1-0013	1	-	Spray Nozzle- 1504	18-0029	1
6	Hubcap	33-0018	2	-	Engine- Vanguard 6.0 HP	1-0069	1	-	Spray Nozzle- 2504	18-0030	1
7	Wheel	14-0017	2	30	Decal- Warning: Muffler Hot (E/S)	34-0598	1	-	Spray Nozzle- 4004	18-0031	1
8	Bolt	27-8884	4	31	Decal- Caution: Allow to Cool (E/S)	34-0599	1	-	Spray Nozzle- 6540	18-0148	1
9	Washer	29-0054	4	32	Key	43-0078	1	51	Grommet	33-0001	5
10	Bolt	27-0067	7	33	Beltguard Back Assembly (Inc. 34-37)	851-0312	1	52	Bushing	9-0017	1
11	Washer	28-0003	18	34	Decal- Warning/Caution (E/S)	34-0812	1	53	Sheave	10-0035	1
12	Pump Bracket	5-0133A01	1	35	Beltguard Back (See 851-0312)	N/A Sep.	1	54	High Pressure Hose Assembly (Inc.17, 55, 56)	851-0007	1
13	Locknut	30-0157	11	36	Edging *(Two Feet Required)	33-0020	1	55	Quick Connect Plug	17-0006	1
14	Pump	3-0170	1	37	Decal- Warning: Beltguard in Place (E/S)	34-0826	1	56	High Pressure Hose	15-0003	1
15	Key	46-0601	1	38	Engine Sheave	10-0029	1	57	Gun Assembly (Inc. 58-62)	851-0095	1
16	Heat Dump Valve	22-0005	1	39	Belt- Honda	11-0023	2	58	Quick Connect Plug	17-0005	1
17	Quick Connect Socket	17-0004	2	-	Belt- Vanguard	11-0020	2	59	Gun	16-0001	1
18	O-ring (Replacement Only)	25-0123	-	40	Engine Bushing	9-0009	1	60	Wand	16-0120A01	1
19	Garden Hose Swivel	23-0095	1	41	Bolt	27-0015	4	61	Grip	7-0002	1
20	Garden Hose Filter	19-0001	1	42	Beltguard Cover Assembly (Inc. 43-47, 51)	851-0313	1	62	Quick Connect Socket	17-0001	1
21	Bolt	27-0118	2	43	Edging *(Three Feet Required)	33-0020	1	63	Decal- Warning: Risk of Injection (E/S)	34-1253	1
22	Brace Tightener Bracket	13-0005A01	1	44	Beltguard Cover (See 851-0313)	N/A Sep.	1	64	O-ring (Replacement Only)	25-0122	-
23	Washer	28-0023	3	45	Decal- Operating Instructions (E/S)	34-0813	1	*Must Order in One Foot Lengths.			
24	Bolt	27-0576	1	46	Fastener	33-0197	1				

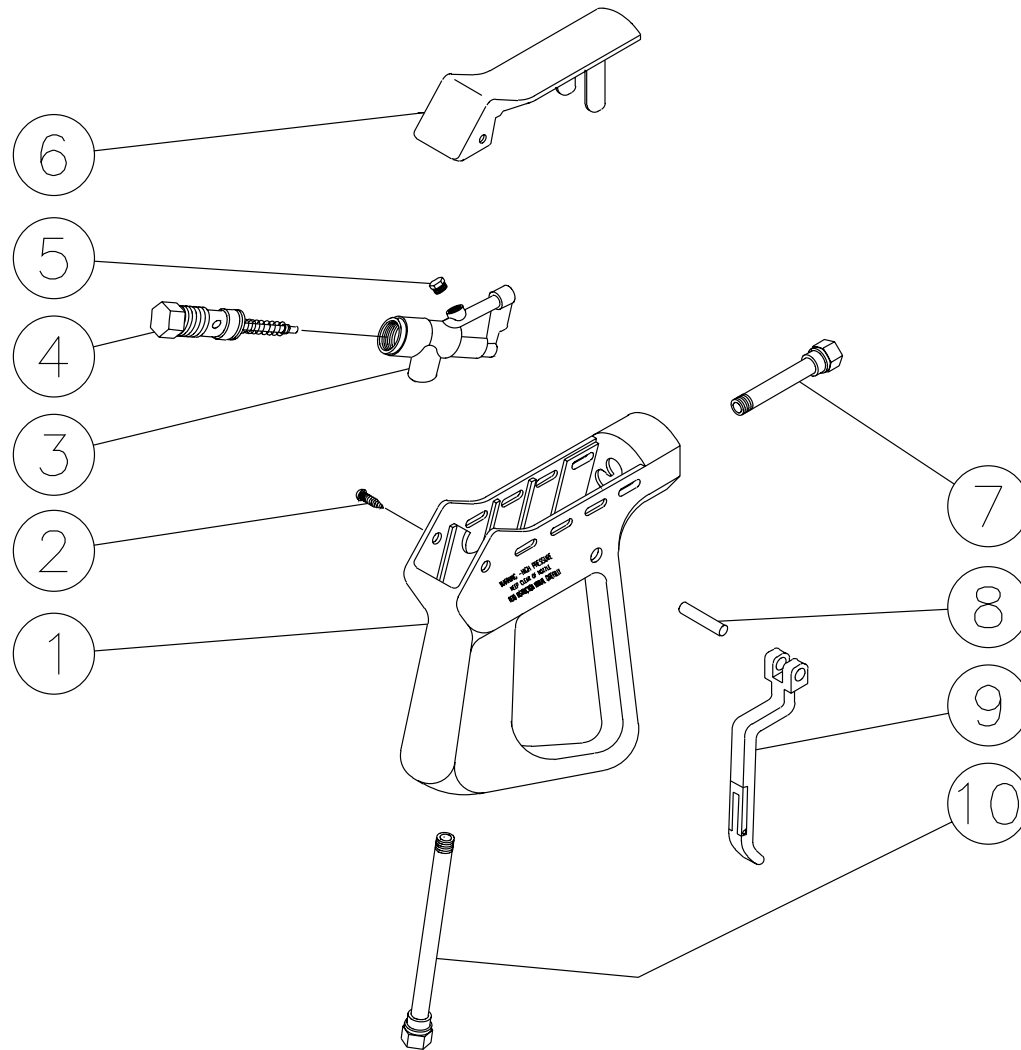
PUMP ASSEMBLY (3-0170)



3-0170-070301-RD

PUMP ASSEMBLY (3-0170)											
REF. #	DESCRIPTION	PART #	QTY.	REF. #	DESCRIPTION	PART #	QTY.	REF. #	DESCRIPTION	PART #	QTY.
1	Oil Seal	26-0250	1	33	Packing Retainer	46-0728	3	65	Spring	49-0132	1
2	Retaining Ring	46-0667	1	34	V-packing (See 70-0181)	N/A Sep.	3	66	Spring Button	8-0475	1
3	Bearing	48-0059	1	35	Support Ring (See 70-0182)	N/A Sep.	3	67	Adjustment Barrel	8-0476	1
4	Key	43-0091	1	36	O-ring	25-0372	1	68	Pin	8-0477	1
5	Crankshaft	46-0754	1	37	Plug	39-0088	1	69	Unloader Knob	7-0141	1
6	Plug	39-0086	3	38	Manifold	46-0730	1	70	Nut	30-3025	1
7	O-ring	25-0325	3	39	Valve Cap	39-0087	6	71	Bolt	27-8433	1
8	Bolt	27-8888	6	40	O-ring	25-0160	6	72	Cap	7-0142	1
9	Crankcase Cover	46-0719	1	41	Single Valve Assembly (Inc. 42-46) (See 70-0161)	N/A Sep.	6	73	Adaptor	8-0448	1
10	O-ring	25-0370	1	42	O-ring	25-0386	6	74	Washer	8-0449	1
11	Oil Sight Glass	46-0670	1	43	Valve Seat (See 70-0161)	N/A Sep.	6	75	Washer	8-0450	1
12	Reflector	46-0824	1	44	Valve Plate (See 70-0161)	N/A Sep.	6	76	Unloader Body	8-0451	1
13	Retainer	46-0671	1	45	Valve Spring (See 70-0161)	N/A Sep.	6	77	O-ring	25-0437	1
14	O-ring	25-0398	1	46	Valve Cage (See 70-0161)	N/A Sep.	6	78	Check Valve	8-0454	1
15	Connecting Rod	46-0720	3	47	Head Bolt	27-8875	8	79	Spring	49-0123	1
16	Piston Pin	46-0721	3	48	Lockwasher	29-0153	8	80	O-ring	25-0372	1
17	Plunger Rod	46-0722	3	49	Plug	39-0097	1	81	Tightener Nut	8-0497	1
18	Washer	28-1027	3	50	Inlet Bypass Adaptor	8-0437	1	82	Injector Adapter	8-0498	1
19	O-ring (See 8-0456)	25-0371	6	51	Washer	8-0440	1	83	Detergent Injector Spring	N/A Sep.	1
20	Piston	46-0723	3	52	Adaptor	8-0438	1	84	Ball	N/A Sep.	1
21	Washer	26-0187	3	53	Washer	8-0439	1	85	Barb	8-0499	1
22	Nut	30-6016	3	54	O-ring (See 8-0456)	N/A Sep.	1	86	O-ring	N/A Sep.	1
23	Oil Dipstick	39-0090	1	55	Nipple	8-0441	1	87	O-ring	N/A Sep.	1
24	Crankcase	46-0724	1	56	O-ring (See 8-0456)	N/A Sep.	1	88	Knob	7-0152	1
25	Bearing	48-0063	1	57	Piston	8-0442	1	89	Snap Ring	N/A Sep.	1
26	Retaining Ring	46-0732	1	58	Back-up Ring (See 8-0456)	N/A Sep.	2		High Pressure Seals (Inc. 3 each 30, 32, 34)	70-0181	
27	Retaining Ring	46-0676	1	59	O-ring (See 8-0456)	N/A Sep.	1		Support Rings (Inc. 3 each 35)	70-0182	
28	Bearing Cap	46-0725	1	60	Back-up Ring (See 8-0456)	N/A Sep.	1		Valves (Inc. 6 each 42-46)	70-0161	
29	Oil Seal	26-0193	3	61	Poppet	8-0443	1		Unloader (Inc. 19, 50-79)	8-0456	
30	O-ring (See 70-0181)	25-0399	3	62	Pin	8-0444	1		Unloader Repair (Inc. 19, 54, 56, 58-60, 77)	70-0180	
31	Retainer	46-0726	3	63	Spring Button	8-0445	1		Injector (Inc. 19, 80-89)	70-0196	
32	Low Pressure Seal (See 70-0181)	N/A Sep.	3	64	Guide Spring	8-0474	1				

GUN ASSEMBLY (16-0001)



16-0001-110399-RD

16-0001-110399-RD

GUN ASSEMBLY (16-0001)			
REF. #	DESCRIPTION	PART #	QTY.
1	Plastic Housing	16-0008	1
2	Screw	27-3230	2
3	Brass Housing	16-0012	1
4	Gun Repair Kit	70-0055	1
5	Brass Plug	39-0024	1
6	Plastic Cover	16-0009	1
7	Pipe Assembly	16-0013	1
8	Trigger Pin	16-0063	1
9	Trigger/Safety Lock-off	16-0010	1
10	Pipe Assembly- Inlet	16-0016	1
	Complete Gun Assembly	16-0001	1

NOTES

NOTES

